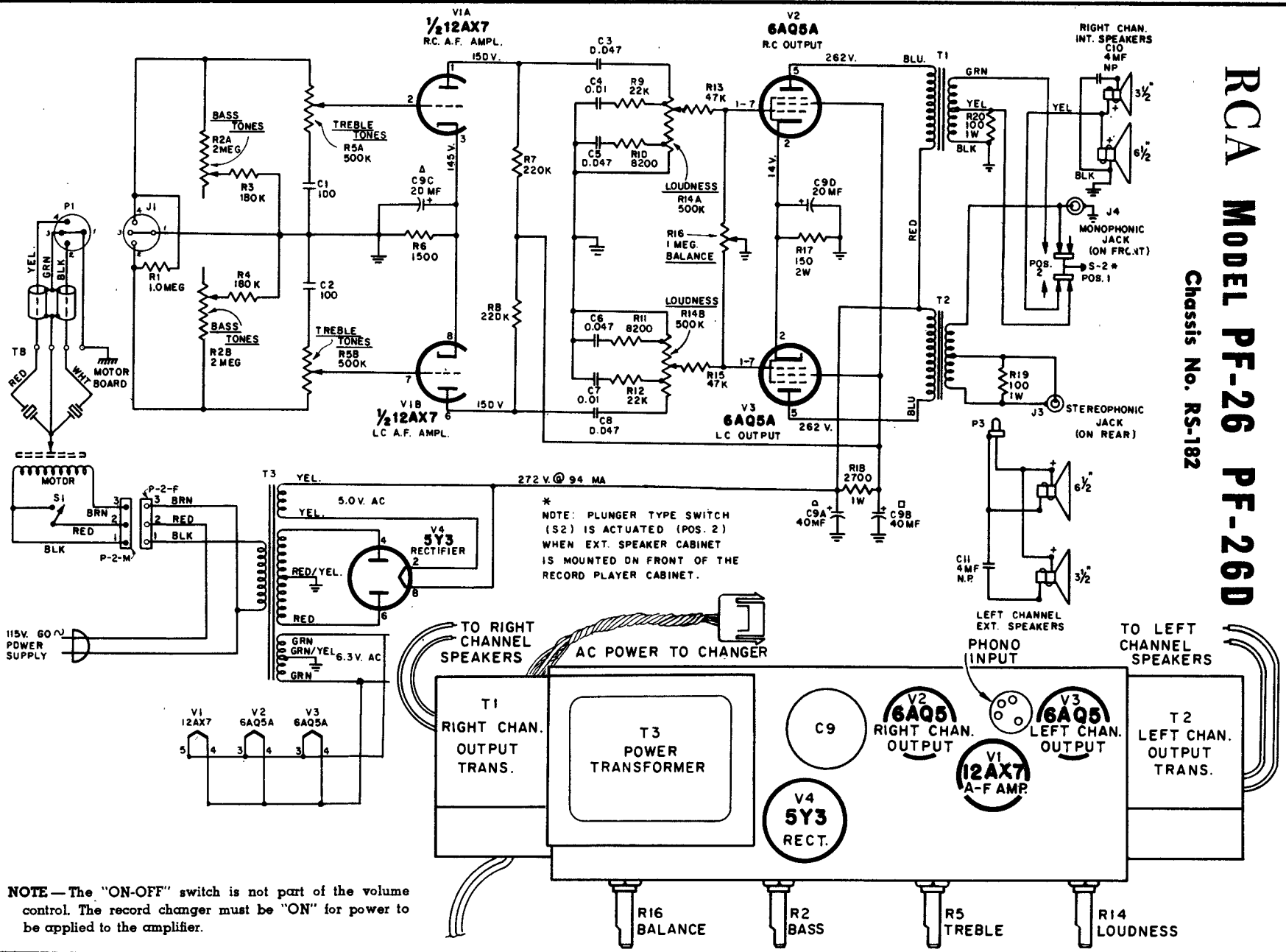


# RCA MODEL PF-26 PF-26D

Chassis No. RS-182



\* NOTE: PLUNGER TYPE SWITCH (S2) IS ACTUATED (POS. 2) WHEN EXT. SPEAKER CABINET IS MOUNTED ON FRONT OF THE RECORD PLAYER CABINET.

NOTE — The "ON-OFF" switch is not part of the volume control. The record changer must be "ON" for power to be applied to the amplifier.

